

# Presidential Shake™ and Presidential TL™ Shake Shingles

# 15

**YOUR OBJECTIVE:**

*To learn the correct procedures  
for installing Presidential Shake™ and  
Presidential TL™ Shake shingles*

## PRESIDENTIAL AND PRESIDENTIAL TL SHAKE™ SHINGLES

Presidential and Presidential TL Shake™ shingles are a premium oversized (14 1/4" x 40") roofing product. These shingles would fall in the "best" category when offering a choice of "good," "better" and "best" products.



Figure 15-1: Presidential Shake Shingle.

Presidential has the depth and dimension of hand-split cedar shakes. Constructed with two laminated layers and an exclusive, patented sculpted tab. Also, two different colors can be combined to create a one-of-a-kind look. Using our **Special Effects color combinations** provides dozens of options to custom design a roof.

The incomparable Presidential TL is a super-heavyweight shingle (480 lbs./square). Constructed using Tri-Laminate technology, the Presidential TL is made of two base layers and a top layer of premium materials.

Presidential Shake is available in an **impact resistant** design; specially manufactured with a reinforced fiberglass scrim to meet UL 2218 Class 4 impact resistance rating. **NOTE:** This product must be installed over a clean deck (no roof-overs) and Presidential impact resistant starter shingles as well as hip and ridge cap accessories must be used to obtain the UL 2218 rating.

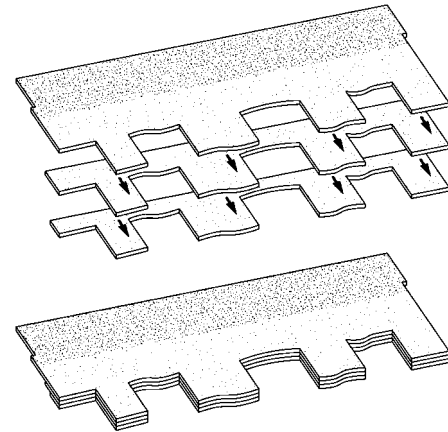


Figure 15-2: Presidential TL Tri-Laminate Construction.

Fastening, low slope underlayment and flashing requirements, are special because of the thickness, design and weight of the products. Open valleys are recommended; however, closed-cut valleys are also acceptable. Woven valleys are not recommended when applying Presidential and Presidential TL because the laminated shingle can buckle and become damaged when shaped into the valley.

On lower-sloped roofs where water drains slowly and due to the Presidential TL tri-laminate design, step flashing details are important to ensure a water-tight roof. Extra precautions such as putting a slater's-edge on step flashings under the shingle or applying two beads of asphalt cement lengthwise along the top of the step shingle (perpendicular to the shingle) should be considered when there are multiple roof penetrations or vertical obstructions in close proximity to each other (ex. several skylights on the same roof plane or a skylight close to a vertical wall).



Figure 15-3: Layers of a Presidential TL.

## SLOPE RESTRICTIONS

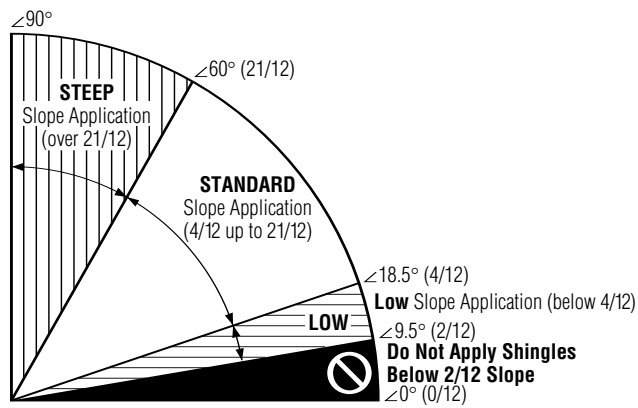


Figure 15-4 Slope definitions

**THE ROOF DECK\*** MUST BE AT LEAST:  $\frac{3}{8}$ " (9.5 mm) thick plywood, or  $\frac{7}{16}$ " (11 mm) thick non-veneer, or nominal 1" (25 mm) thick wood deck.

**STANDARD OR STEEP SLOPE UNDERLAYMENT:** Shingle underlayment\* meeting ASTM D4869 Type I standards is suggested. CertainTeed's Roofers' Select™, ShingleFelt™, or RoofWrap™ is preferred.

**LOW SLOPE UNDERLAYMENT:** One layer of WinterGuard™ or its equivalent **MUST BE APPLIED OVER THE ENTIRE ROOF**. One layer of Roofers Select or a product meeting ASTM D4869 applied over the **REQUIRED** WinterGuard is also recommended.

**IMPORTANT:** Applying two layers of felt shingle underlayment **IS NOT** an acceptable alternative to WinterGuard when installing Presidential TL; however, it **IS** acceptable for Presidential.

**COLD WEATHER CLIMATES (ALL SLOPES):** Applying WinterGuard or its equivalent is strongly recommended wherever there is a possibility of ice build-up.

**SEALING:** Shingle sealing may be slowed if the shingles are applied in cool weather and may be further delayed by airborne dust accumulation. We recommend hand-sealing when weather conditions are likely to prevent the factory-applied sealant from activating.

**CAUTION:** To prevent cracking, shingles must be warm enough to allow proper forming for hips, ridges and valleys.

**FLASHING:** Corrosion-resistant flashing must be used to help prevent leaks where a roof meets a wall, another roof, a chimney or other objects that penetrate a roof.

**WARRANTY:** These shingles are warranted against manufacturing defects and are covered by SureStart™ protection. See the warranty itself for specific details and limitations.

\*

For technical questions, information on acceptable alternative application methods and materials, or a copy of the product warranty, contact the sources listed below:	Warranty	Alternate Instructions	Technical Questions
Your supplier or roofing applicator	✓		
CertainTeed Home Institute 800-782-8777	✓	✓	
CertainTeed-RPG Technical Services 800-345-1145	✓	✓	✓

## FASTENING

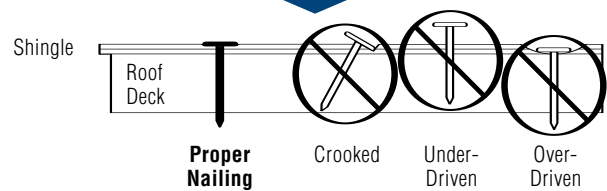


Figure 15-5: Proper and improper nailing.

**IMPORTANT:** For decks  $\frac{3}{4}$ " (19 mm) thick or thicker, nails must go at least  $\frac{3}{4}$ " (19 mm) into the deck. On thinner decks, nails must go at least  $\frac{1}{8}$ " (3.2 mm) through the deck.

Nails must be 11- or 12-gauge roofing nails, corrosion-resistant, with at least  $\frac{3}{8}$ " (9.5 mm) heads, and at least 1" (25 mm) long.

**NOTE:** Nails are required for Presidential TL and strongly recommended for Presidential.

### LOW AND STANDARD SLOPE:

For low and standard slopes, use five nails for each full Presidential shingle as shown below.

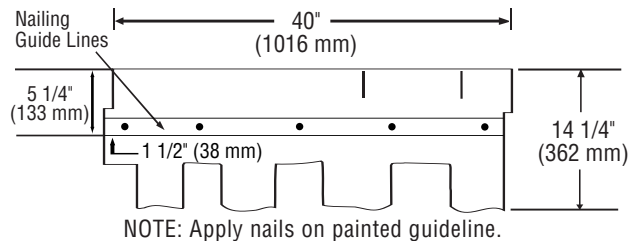


Figure 15-6: Fastening Presidential and Presidential TL Shake shingles on low and standard slopes.

### STEEP SLOPE:

For steep slopes, use nine nails for each full Presidential shingle and apply 1" diameter spots of asphalt roofing cement under each shingle tab. After applying 5 nails in between the nailing guide lines, apply 4 nails 1" above tab cutouts making certain tabs of overlying shingle cover nails.

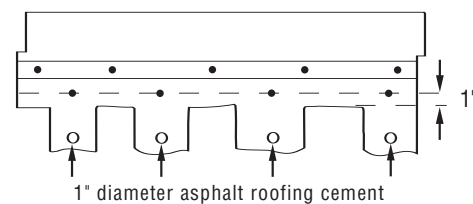


Figure 15-7: Fastening Presidential and Presidential TL Shake shingles on steep slopes.

**CAUTION:** Too much roofing cement can cause shingles to blister.

## ALIGNMENT AND SHIPLAP NOTCHES

To maintain the correct 5" and 15" diagonal offset pattern, use the **Alignment Notches** at 5½" and 15½" from the right edge of the shingle. These notches are pre-cut into the top of each shingle and serve as a shingle placement guide for the shingles being installed in the course above them.

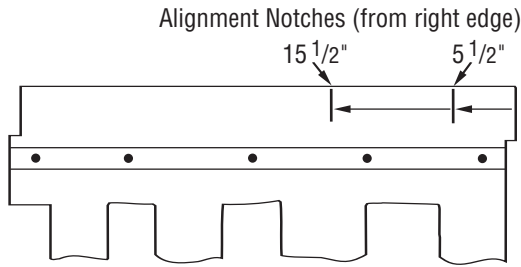


Figure 15-8: Use the alignment notches to ensure shingles are applied at a 5" and 15" diagonal offset.

**Shiplap Notches** on the left and right side of each shingle are used to ensure the proper 4" exposure is continued across shingle courses by lining up the shiplap notches of adjacent shingles.

## ONE CLEAN DECK APPLICATION METHOD

**NOTE:** Shingle applications are on 5" and 15" offsets with a 4" exposure. Apply shingles up the left side of the roof to establish the pattern and fill in to the right. When cutting shingles, always apply the right hand portion (cut-off the left side.) Use the pieces cut off the left rake, hip, or valley to complete courses at the right rake.

### PREPARING THE DECK:

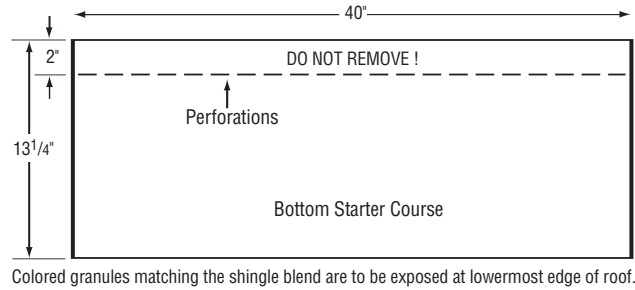
- ◆ Apply underlayment as required. CertainTeed suggests that a layer of shingle underlayment be applied. For UL fire rating, underlayment is generally required. Apply flat and unwrinkled.
- ◆ Snap horizontal and vertical chalklines to assure shingles will be correctly aligned. Expose all shingles 4" (125 mm).

### PRESIDENTIAL STARTER:

**IMPORTANT!**

Use **TWO (2) OVERLAPPING LAYERS** of CertainTeed's "Presidential Starter" shingles, applied in the following fashion, starting at left rake/eaves corner. Starting at the right rake/eaves corner is not permitted. The staggered top edge of the starter pieces will allow a smooth and uniform transition for applied shingles.

- 1. Bottom Starter Course Layer:** Cut 20" off the first bottom piece. Apply remaining 13¼" x 20" piece, followed by full 13¼" x 40" pieces along the eave. **DO NOT REMOVE THE PERFORATED TOP SECTION.**



Colored granules matching the shingle blend are to be exposed at lowermost edge of roof.

Figure 15-9: Presidential Starter (bottom starter course.)

- 2. Top Starter Course Layer:** Remove the 2" perforated top section. Cut 2" off the left side of the first top piece only. Install the 11¼" x 38" piece over and flush to the bottom starter course. Continue with 11¼" x 40" top course pieces over the rest of the bottom starter course.

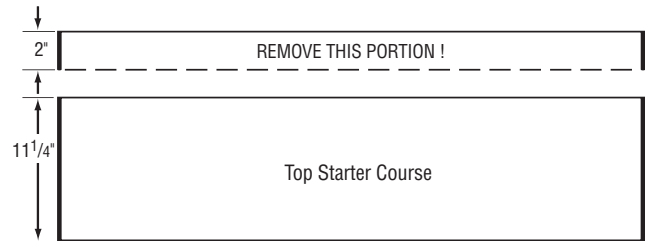
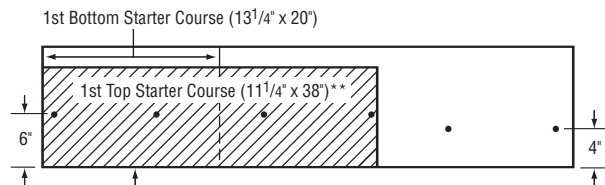
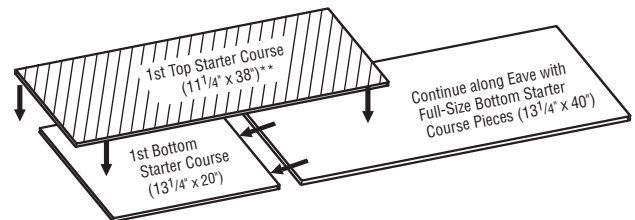


Figure 15-10: Presidential Starter (top starter course.)

**NOTE:** The exposed colored granules on the "top" starter shingles must match the Presidential/Presidential TL shingle colors.

Fasteners should be placed about 1" and 13" in from both ends of a full length starter shingle. Fasteners for less than full 40" starter shingles should be placed about 1" in from each end and evenly spaced no more than 13" apart (2, 3 or 4 fasteners may be used on shorter starter shingles depending on the length.)



Extend the shingles over the rake and eaves about ½" (13 mm) if drip edge is used, or about ¾" (19 mm) if no drip edge is used.

\*\* Continue along eave with 11¼" x 40" Top Starter Course shingles, butted against the in-place Top Starter Shingles and Flush to the Lower Edge of the Bottom Starter.

Figure 15-11: Use two (2) overlapping layers of CertainTeed's "Presidential Starter."

*Here's a Tip...* When establishing the 4-course shingle pattern, use the proper alignment notches to determine where to cut the shingles on the left hand side. For example, install the first course full shingle, then place a full shingle above it by lining up the right side edge with the 5½" alignment notch in the 1st course shingle below, then fasten and trim the 2nd course shingle along the rake edge. Likewise, use the 15½" alignment notch at the top of the 2nd course shingle to place the right side edge of the 3rd course shingle. Finally, use the 5½" alignment notch at the top of the 3rd course shingle to place the 4th course shingle

## 5" AND 15" OFFSET, FOUR-COURSE DIAGONAL METHOD

**1ST COURSE:** Start at left rake, hip or valley and apply a full shingle.

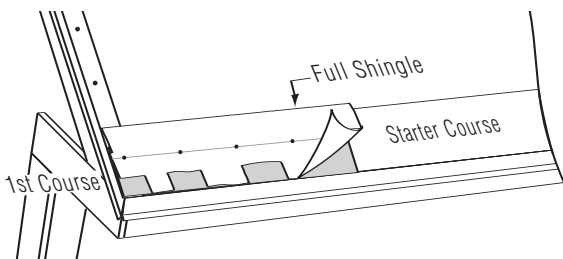


Figure 15-12: First Course.

**2ND COURSE:** Cut 5" from the left edge of the first shingle. Install the remaining 35" piece by lining up the right lower edge with the 5½" alignment notch in the top of the First Course shingle.

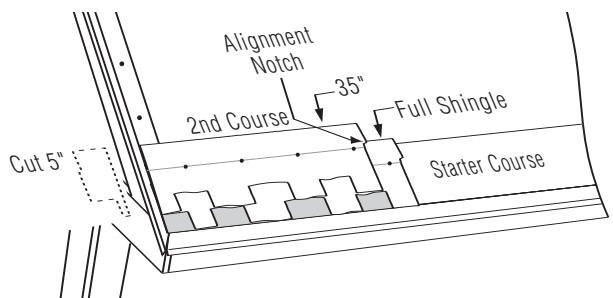


Figure 15-13: Second Course.

**3RD COURSE:** Cut 20" from the left edge of the first shingle. Install the remaining 20" piece by lining up the right lower edge of the shingle with the 15½" alignment notch in the top of the Second Course shingle.

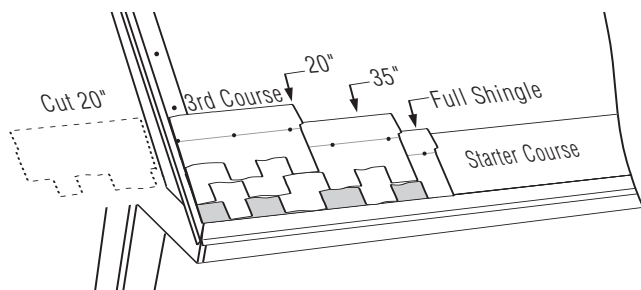


Figure 15-14: Third Course.

**4TH COURSE:** Cut 25" from the left edge of the first shingle. Install the remaining 15" piece by lining up the right lower edge of the shingle with the 5½" alignment notch in the top of the Third Course shingle.

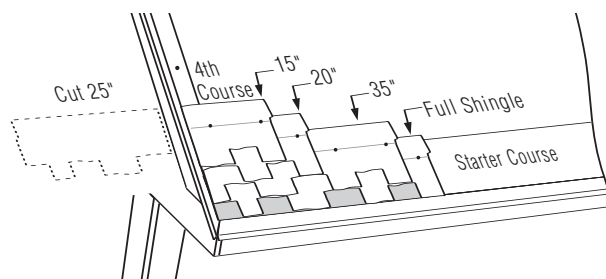


Figure 15-15: Fourth Course.

**SUCCEEDING COURSES:** Start the Fifth Course by installing a full shingle and repeat the four-course pattern. Continue applying shingles filling into the right of the first four courses.

### ANOTHER WAY TO VIEW IT:

The 5" and 15" offset pattern is established over the 4 courses as follows:

- 1st course shingle = 40" L (full shingle)
- 2nd course shingle = 35" L (1st course – 5")
- 3rd course shingle = 20" L (2nd course – 15")
- 4th course shingle = 15" L (3rd course – 5")

### AN ALTERNATIVE TO STARTING ON THE LEFT:

Follow the same application instructions specified in the 5" and 15" Offset Method above except instead of starting at the left rake, strike a chalkline perpendicular to the eave, at least 10' from the rake's edge. Install the First Course full shingle by aligning its left edge with the perpendicular chalk-line. Follow the 5" and 15" Offset Method instructions for the remaining courses.

**IMPORTANT:** The designed appearance and service of Presidential Shake Shingles requires strict adherence to the application instructions.

*Here's a Tip...* After establishing the 4 course shingle pattern, extend the 1st course by installing additional full shingles along the eave. Using the proper alignment notch in the shingle course below to maintain the 5" and 15" offset, build the courses up the roof by working "back and forth" across the roof deck. (Be careful to maintain the correct offsets!)

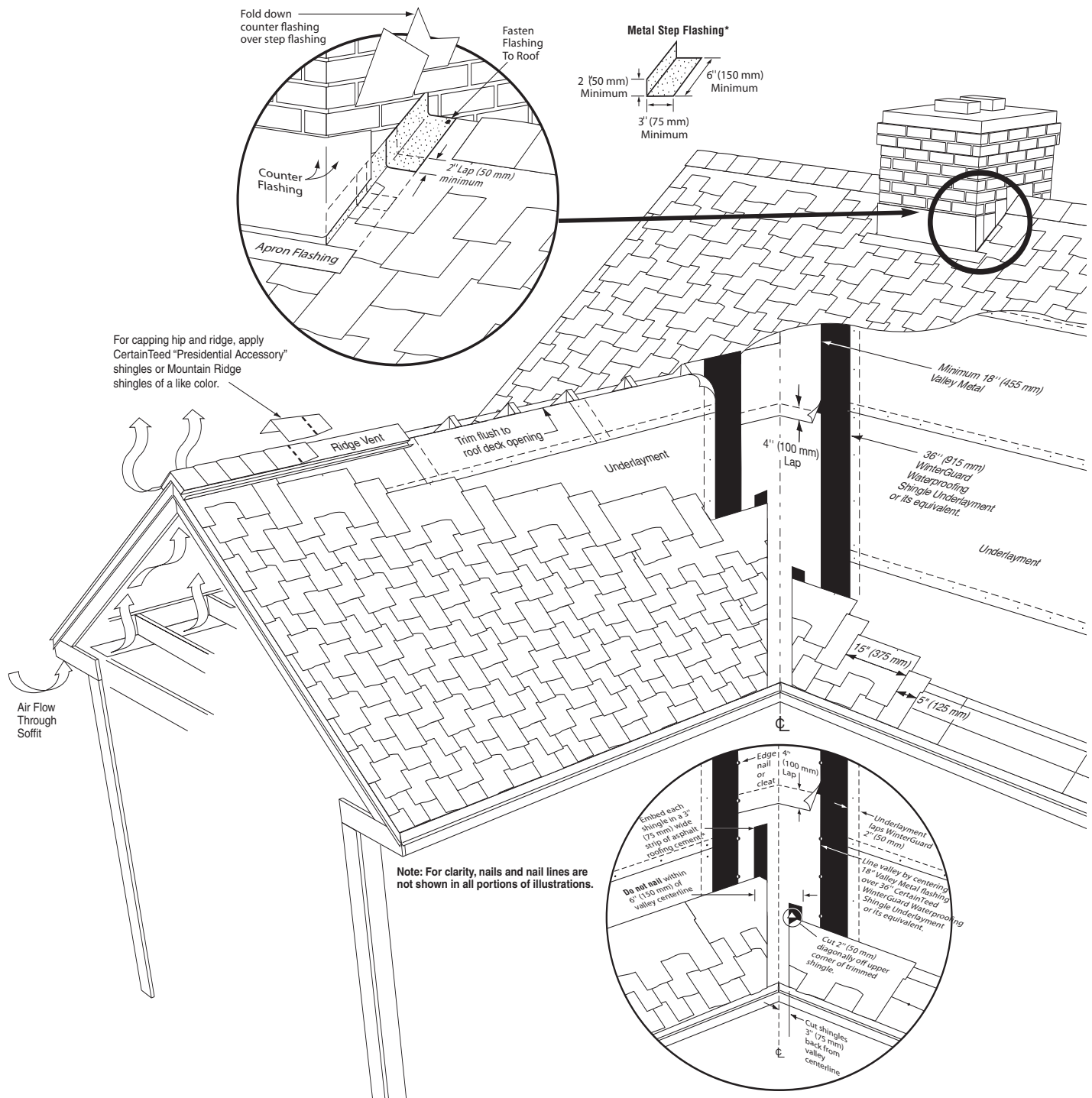


Figure 15-16: Highlight of open valley and chimney flashing details.



---

## “SPECIAL EFFECTS” PRESIDENTIAL SHAKE™ SHINGLES

---

### DUAL COLOR APPLICATION METHODS USING THE 5" AND 15" OFFSET

#### METHOD # 1 – ALTERNATING COLORS – SINGLE COURSES

1. Select color combinations of Presidential Shake shingles for use in dual color application, e.g. Slate Gray and Weathered Wood. Color designations “A” and “B” for two different shingle colors will be used in the following shingle application instructions.
2. **STARTER COURSE:** Apply color “A” Starter Strip shingles to starter course and follow instructions for Starter Course application.
3. **FIRST COURSE:** Apply color “B” Presidential Shake shingles to the first course. Follow instructions for First Course application. All shingles applied to the first course and all successive odd numbers will be the same color i.e., color “B”.
4. **SECOND COURSE:** Apply color “A” shingles to second course. Follow instructions for Second Course application. All shingles applied to the second course and all successive even numbers will be the same color i.e., color “A”.
5. Every other course of shingles will alternate between colors “A” and “B”. Complete shingle application to each course across the roof deck with the same color of shingles. To avoid confusion, completely fill in each course of shingles across the deck at the same time. Follow the appropriate installation instructions for Presidential Shake shingles.
6. **HIP & RIDGE:** Apply hip & ridge cap shingles that are the opposite color as that of the last course of Presidential Shake Shingle. For example, if the last (top) course of Presidential Shake Shingle is color “A”, then hip and ridge cap shingles should be color “B”.

#### METHOD #2 – ALTERNATING COLORS – DOUBLE COURSES

1. Select color combinations of Presidential Shake Shingles for use in dual color application, e.g. Slate Gray and Weathered Wood. Color designations “A” and “B” for two different shingle colors will be used in the following shingle application instructions.
2. **STARTER COURSE:** Apply color “A” Starter Strip Shingles to starter course and follow instructions for Starter Course application.
3. **FIRST COURSE:** Apply color “A” Presidential Shake Shingles, same color as starter shingles, to the first course. Follow instructions for First Course application.

4. **SECOND AND THIRD COURSE:** Apply color “B” shingles to the second and third courses. Follow instructions for Second Course and Third Course applications.
5. **FOURTH AND FIFTH COURSES:** Apply color “A” shingles to the fourth and fifth courses. Follow instructions for Fourth Course and Fifth Course applications.
6. All succeeding courses continue with two courses of shingles of one color followed by two courses of shingles of the other color. To avoid confusion completely apply the two courses of same colored shingles at the same time. Follow the appropriate installation instructions for Presidential Shake shingles.
7. **HIP & RIDGE:** The hip & ridge shingle color to be used will depend upon the color of the last two courses of Presidential shingles. If the last two courses contain shingles of the same color, then the hip & ridge color will be the opposite color. For example, if the last two courses are color “A”, then the color “B” hip & ridge shingles are used.

If the last two courses of shingles are different in color, then the color of hip & ridge shingles will be the same as the last course of Presidential Shake shingle. For example, if the next to last course is color “A” and the last (top) course is color “B”, then the Hip & Ridge color used is “B”.

---

## CAPPING THE HIP AND RIDGE

---

### PRESIDENTIAL ACCESSORY

Presidential accessory shingles can be used for covering hips and ridges. Apply shingles up to the ridge (expose no more than 7" from the bottom edge of the “tooth.” Fasten each accessory with two fasteners. The fasteners must be 1<sup>3</sup>/<sub>4</sub>" long or longer, so they penetrate either <sup>3</sup>/<sub>4</sub>" into the deck or completely through the deck. Presidential accessory comes in two different sizes: 12" x 12", and 9<sup>7</sup>/<sub>8</sub>" x 13<sup>1</sup>/<sub>4</sub>".

---

*Here's a Tip...* To provide a level surface for hip and ridge caps applied over Presidential TL, a “nailer” made from 1-by boards can be installed or a piece of metal can be formed to support the caps. Also ridge vents made from sturdy material can serve as a base to provide an even uniform appearance.

---

## MOUNTAIN RIDGE HIGH-PROFILE HIPS AND RIDGE ACCESSORY

Use Mountain Ridge accessory shingles to cover hips, ridges or rake edges. One box will cover 20 linear feet. To prevent damage to shingles during application, they must be sufficiently warm to allow proper forming.

### FASTENING

**IMPORTANT:** Use two nails to fasten each shingle. Nails must be **minimum 1<sup>3</sup>/<sub>4</sub>" (45 mm) long**. For the 4" (100 mm) starter shingle, place fastener 1" (25 mm) in from each side edge and about 2" (50 mm) from the rake (or eave) edge, making sure the fastener goes <sup>3</sup>/<sub>4</sub>" into the deck or all the way through. For each full Mountain Ridge shingle, place fasteners 8<sup>5</sup>/<sub>8</sub>" (219 mm) up from its exposed butt edge and 1" (25 mm) in from each side edge.

### HIP, RIDGE AND RAKE SHINGLE APPLICATION

Apply the primary field roofing up to the hip or ridge from both sides of the roof and trim flush or lap over one side, not more than half the width of a Mountain Ridge shingle.

Assure that the installed Mountain Ridge shingles properly cover hip and ridge field shingles on both sides and the field shingles applied along rake edges. For a rake edge installation, cut the field shingles flush to the rake edge. Apply Mountain Ridge shingles ensuring they fit securely against the rake board. **To assist in proper alignment, snap a chalk line parallel to the hip, ridge or rake along the line where the side edges of the Mountain Ridge shingles should fall.**

Prepare a 4" **Starter shingle** by cutting off the lower 8" color granule butt portion of one Mountain Ridge shingle. Apply the 4" starter piece (with sealant nearest the outer edge) over the bottom corner of the hip or rake, or on either end of the ridge, overhanging the corner or end by approximately <sup>1</sup>/<sub>2</sub>" and bending the starter shingle along its centerline to form into place (see figures below.) Install a nail on each side about 2" up from the starter shingle's exposed butt edge and 1" in from each side edge of the shingle. The 8" piece that was cut off may be used to finish the opposite end of hip, ridge or rake.

Next, apply a full Mountain Ridge shingle over the installed starter shingle, bending it along its centerline and forming into place over the hip, ridge or rake, flush with the bottom and side edges of the starter shingle. Install a nail on each side of the shingle 8<sup>5</sup>/<sub>8</sub>" up from the bottom edge and 1" in from each side edge.

Continue application of the Mountain Ridge shingles along the hip, ridge or rake as shown. Expose Mountain Ridge shingles 8", covering all fasteners.

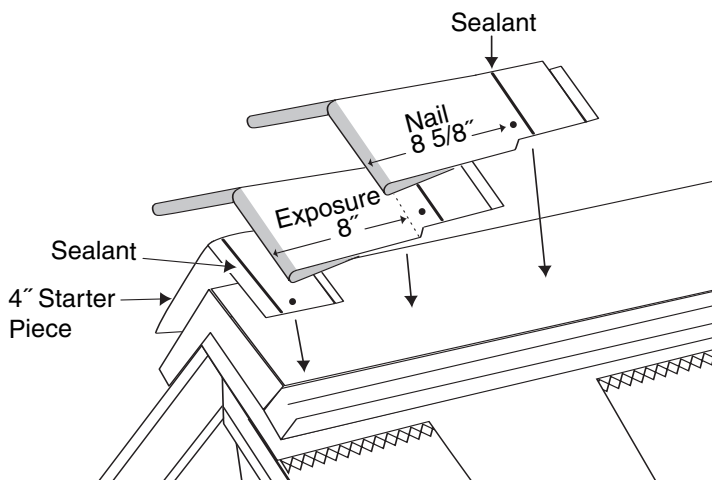


Figure 15-17: Hip and ridge application.

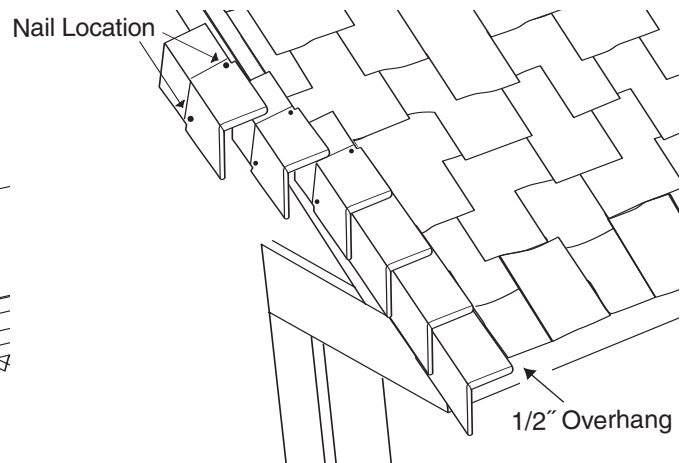
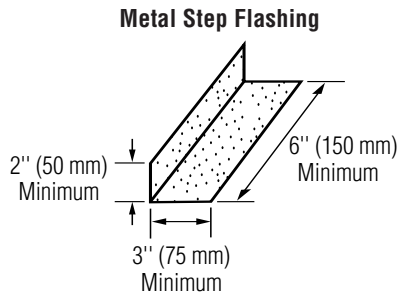


Figure 15-18: Rake edge application.

## METAL STEP FLASHING

Metal flashing must consist of a 5" x 6" piece, bent as shown in *Figure 15-19*.

Place each piece of flashing 2" up the roof from where the lowermost edge of the next (overlapping) shingle will be applied. Each succeeding course of flashing must "overlap" the flashing course below it a minimum of 2".



*Figure 15-19: Metal step flashing.*

## REROOFING

### "TEAR-OFF"

CertainTeed recommends but does not require old roofing be removed before installation of these products. Inspect the condition of the roof to determine that the load bearing capacity is adequate for the application of the Presidential shingles. If the old roof consists of two or more layers of shingles, it is required to remove (tear-off) the existing roofing. After tear-off, repair the decking and /or install new decking and apply new underlayment, eaves flashing, and Presidential shingles using the recommended procedure.

### "ROOF-OVER"

#### OVER ASPHALT SHINGLES:

**IMPORTANT:** If Presidential shingles are applied over existing roofing shingles, special "nesting" application methods must be followed. Applied incorrectly, raised shingle edges may result which can give an objectionable appearance and reduce the performance of the roofing.

If Presidential Shake Shingles are installed over existing wood shingles, replace old wood shingles along eave and rake edges with 1" (25 mm) x 4" (102 mm) boards. Beveled wood strips 4" (102 mm) x 5" (127 mm) wide may be installed below butt of shingles to provide a solid nailing base. Install Presidential Shake shingles using the recommended procedures.